



q5



q5



slide

4 legs

swivel

bench

slide w/writing tablet

stool



BIFMA TEST
 only for 2 mm thickness
 4-legs special frame

BIFMA TEST

q5 showing



tools



certification



Una seduta caratterizzata da una **linea elegante** e da **dettagli distintivi**, perfetta espressione del design italiano.

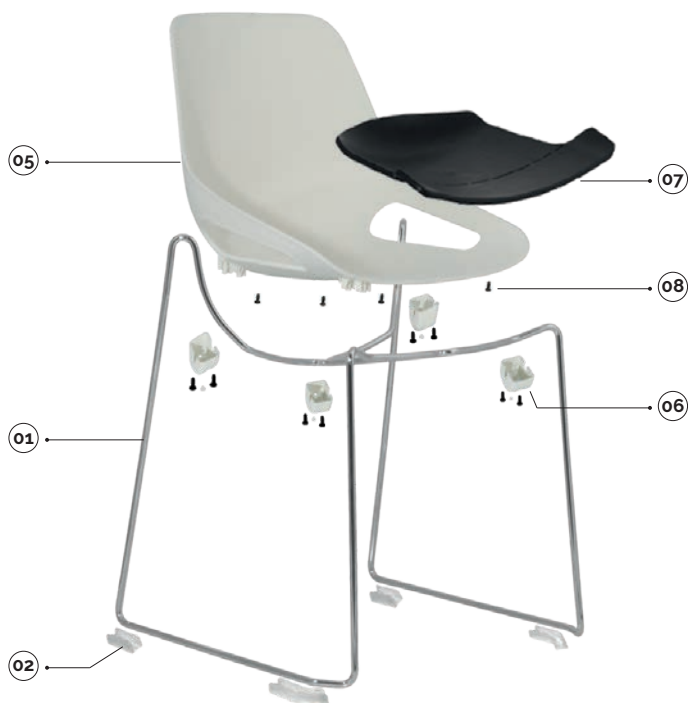
La scocca disponibile in **4 moderni colori** può essere abbinata a una serie completa di telai e accessori che rendono **Q5** la soluzione ideale per ambienti diversi: dall'**Home** al **Contract**, fino alle **aree formation**, anche grazie alla sua pratica **impilabilità**.

*A seat characterized by **elegant lines** and **distinctive detailing** representing a perfect expression of Italian design.*

*The shell is available in **4 modern colours** which can be combined with a complete series of frames and accessories. This makes **Q5** the ideal solution for different environments: from **Home** to **Contract**, and also **training settings**, thanks also to its practical **stackability**.*

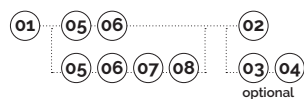
q5

slide

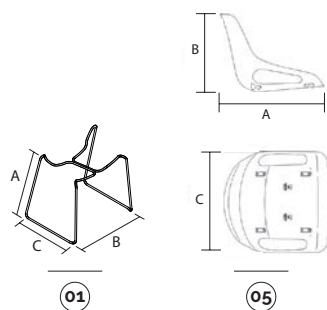


plastic colours

- marrone/brown ral8022
- avorio/ivory ral1013
- giallo/yellow ral1012
- grigio/grey ral7003

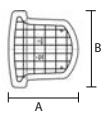


main component sizes



01

05



07



02

03

04

optional

01 q5-telaio slitta in tondino per scocca senza tappi

q5-slide wire frame for shell without caps

code	finishing	q.kit	q.pack	a	b	c	kg.x1	vol.x1
113410-012	● cromato/chrome	x1	100	450	550	510	4,00	mc. 0,04

02 btf-kit piedini

btf-kit feet

code	finishing	q.kit	q.pack	kg.x1
134306-001	○ neutro/neutral	x1	100	0,05

03 btf-a-kit piedini con ganci

btf-a-kit feet with hooks

code	finishing	q.kit	q.pack	kg.x1
134306-002	○ neutro/neutral	x1	100	0,06

04 pptf-tappo per fissaggio pavimento

pptf-cap for fixing to the floor

code	finishing	q.kit	q.pack	kg.x1
134306-003	○ neutro/neutral	x2	100	0,03

05 q5-scozza intera modello q5

q5-shell model q5

code	finishing	q.kit	q.pack	a	b	c	kg.x1	vol.x1
133905-035	○ avorio/ivory ral1013	x1	10	400	400	470	1,60	mc. 0,02

06 q5-confezione accessori per scocca q5

q5-packaging accessories for shell q5

code	finishing	q.kit	q.pack	kg.x1	vol.x1
137005-004	○ avorio/ivory ral1013	x1	10	telaio in tondino/wire frame	0,085 mc. 0,00

07 q5-pannello sedile da tappezzare

q5-panel back for upholstery

code	finishing	q.kit	q.pack	a	b	kg.x1	vol.x1
132203-048	● nero/black	x1	20	390	420	0,52	mc. 0,003

08 confezione viti tbt+ fr. d.5x14 per pannello da tappezzare

screws tbt+ fr.hilo d.5x14 zinc.black (to fix seat panel) package

code	finishing	q.kit	q.pack
117003-071	● nero/black	x4	200



for all colour codes, see page 113

q5

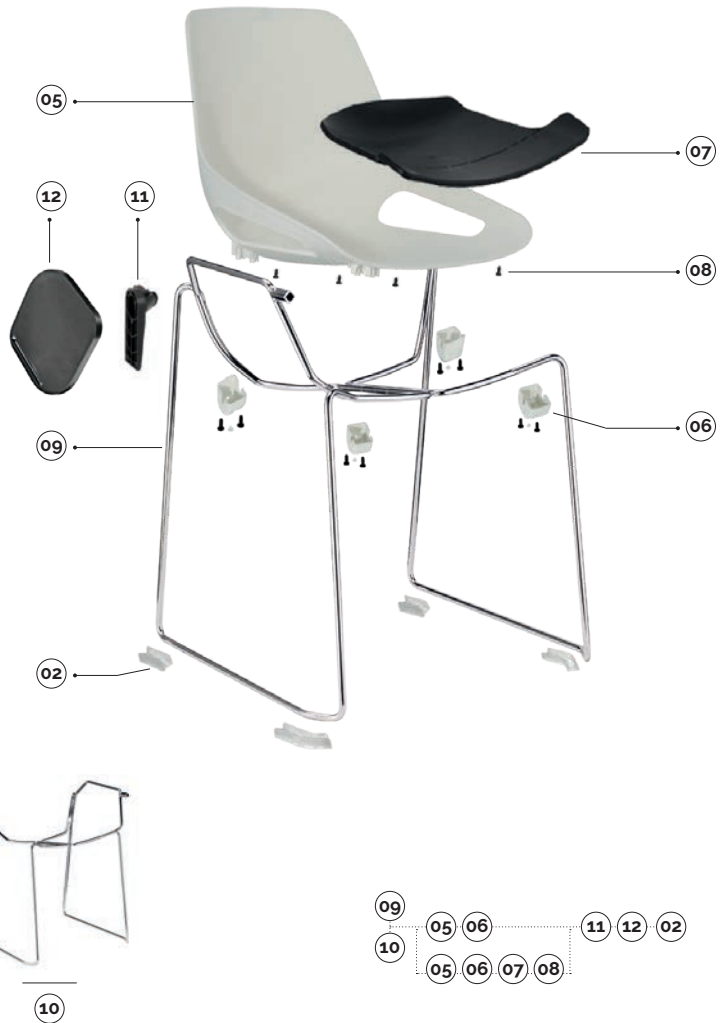
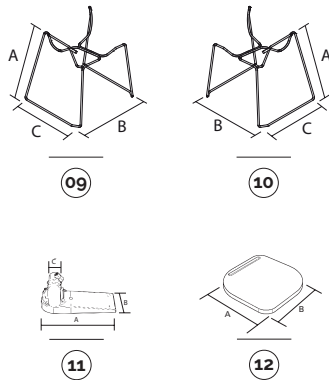
slide w/writing tablet



plastic colours

- marrone/brown ral8022
- avorio/ivory ral1013
- giallo/yellow ral1012
- grigio/grey ral7003

main component sizes



09 q5-telaio slitta in tondino per scocca con porta tavoletta destro senza tappi
q5-slide wire frame for shell with right tablet hook without caps

code	finishing	hook	q.kit	q.pack	a	b	c	kg.x1	vol.x1
113410-013	● cromato/chrome	destro/right	x1	50	450	550	510	4,65	mc. 0.057

10 q5-telaio slitta in tondino per scocca con porta tavoletta sinistro senza tappi
q5-slide wire frame for shell with left tablet hook without caps

code	finishing	hook	q.kit	q.pack	a	b	c	kg.x1	vol.x1
113410-017	● cromato/chrome	sinistro/left	x1	50	450	550	510	4,65	mc. 0.057

11 spt2-snodo per tavoletta in termoplastica
spt2-thermoplastic writing tablet articulation

code	finishing	q.kit	q.pack	a	b	c	kg.x1	vol.x1
134003-039	● nero/black	x1	20	180	66	15x15	0,35	mc. 0.0006

12 tl2-tavoletta in termoplastico ovale spessore 16 mm per bracciolo destro e sinistro
tl2-writing tablet in oval plastic thickness 16 mm for left and right arms

code	finishing	q.kit	q.pack	a	b	kg.x1	vol.x1
134003-040	● nero/black	x1	20	271	271	0,40	mc. 0.002

for the components below, see page 106



for all colour codes, see page 113

02 05 06 07 08



TLT
tablet



TLT2
tablet



TLT3
tablet



BEAN
tablet



TL02
tablet



SPT2
mechanism tablet

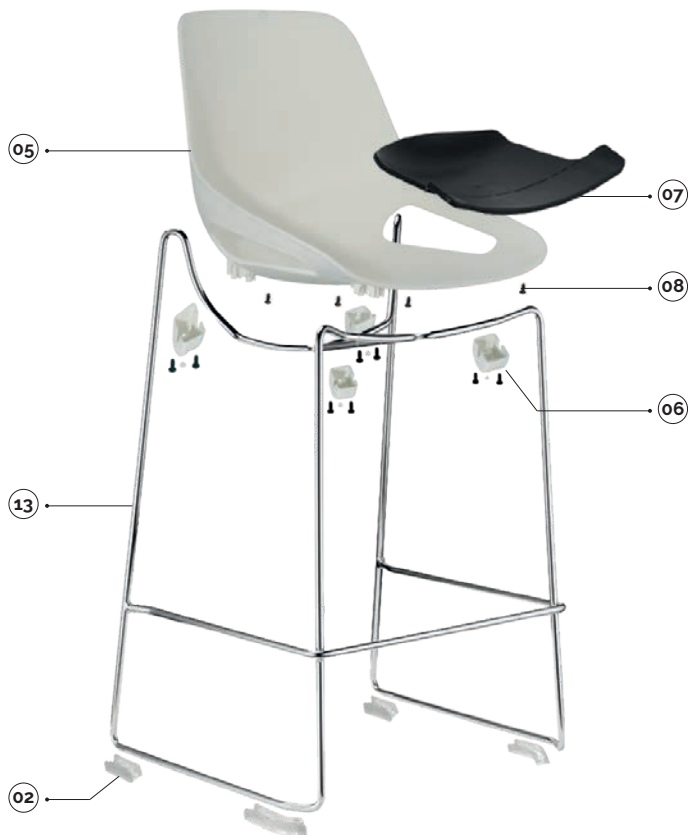


SPTA
mechanism antipanic



for writing tablet options, see page 192/193

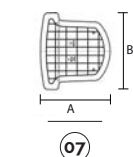
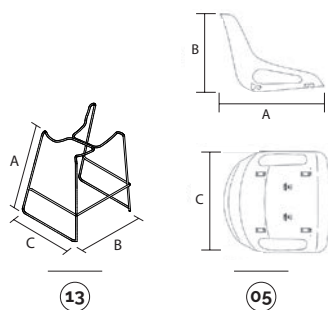
q5 stool



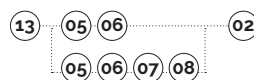
plastic colours

- marrone/brown ral8022
- avorio/ivory ral1013
- giallo/yellow ral1012
- grigio/grey ral7003

main component sizes



optional



13 q5-sgabello alto in tondino per scocca senza tappi q5-wired frame tall stool for shell without caps

code	finishing	q.kit	q.pack	a	b	c	kg.x1	vol.x1
113410-006	● cromato/chrome	x1	50	700	550	510	6,30	mc. 0,08

02 btf-kit piedini btf-kit feet

code	finishing	q.kit	q.pack	kg.x1
134306-001	○ neutro/neutral	x1	100	0,05

05 q5-scocca intera modello q5 q5-shell model q5

code	finishing	q.kit	q.pack	a	b	c	kg.x1	vol.x1
133905-035	○ avorio/ivory ral1013	x1	10	400	400	470	1,60	mc. 0,02

06 q5-confezione accessori per scocca q5 q5-packaging accessories for shell q5

code	finishing	q.kit	q.pack	kg.x1	vol.x1
137005-004	○ avorio/ivory ral1013	x1	10	telaio in tondino/wire frame	0,085 mc. 0,00

07 q5-pannello sedile da tappezzare q5-panel back for upholstery

code	finishing	q.kit	q.pack	a	b	kg.x1	vol.x1
132203-048	● nero/black	x1	20	390	420	0,52	mc. 0,003

08 confezione viti tbl+ fr. d.5x14 per pannello da tappezzare screws tbl+ fr.hilo d.5x14 zinc.black (to fix seat panel) package

code	finishing	q.kit	q.pack
117003-071	● nero/black	x4	200



for all colour codes, see page 113

q5

4-legs



CERTIFIED BY
BIFMA

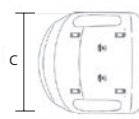
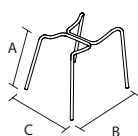
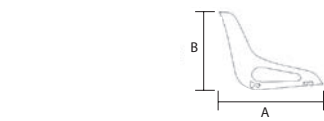


plastic colours

- marrone/brown ral8022
- avorio/ivory ral1013
- giallo/yellow ral1012
- grigio/grey ral7003

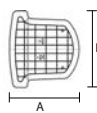


main component sizes



14

05



07

optional



17

14 q5-telaio 4 gambe in tubo d.18 senza tappi

q5-4 legs frames d.18 without caps

code	finishing	q.kit	q.pack	a	b	c	kg.x1	vol.x1
110603-022	● nero/black	x1	200	450	460	480	1,70	mc. 0,02
110604-022	● grigio/grey	x1	200	450	460	480	1,70	mc. 0,02
110610-135	● cromato/chrome	x1	200	450	460	480	1,70	mc. 0,02

15 confezione puntali tondi d.18 neri

black inner round caps d.18 package

code	finishing	q.kit	q.pack
137003-072	● nero/black	x4	200

05 q5-scocca intera modello q5

q5-shell model q5

code	finishing	q.kit	q.pack	a	b	c	kg.x1	vol.x1
133903-035	● marrone/brown ral8022	x1	10	400	400	470	1,60	mc. 0,02

16 q5-confezione accessori per scocca q5

q5-packaging accessories for shell q5

code	finishing	q.kit	q.pack	kg.x1	vol.x1
137003-003	● marrone/brown ral8022	x1	10	telaio tubo/tube frame	0,085 mc. 0,00

07 q5-pannello sedile da tappezzare

q5-panel back for upholstery

code	finishing	q.kit	q.pack	a	b	kg.x1	vol.x1
132203-048	● nero/black	x1	20	390	420	0,52	mc. 0,003

08 confezione viti tbl+ fr. d.5x14 per pannello da tappezzare

screws tbl+ fr.hilo d.5x14 zinc.black (to fix seat panel) package

code	finishing	q.kit	q.pack
117003-071	● nero/black	x4	200

17 q5-coppia aggancio laterale in tondino + plastica nera

q5-couple round bar lateral hook + black plastic

code	finishing	q.kit	q.pack	kg.x1	vol.x1
113410-004	● cromato/chrome	x1	50	0,15	mc. 0,0004



for all colour codes, see page 113

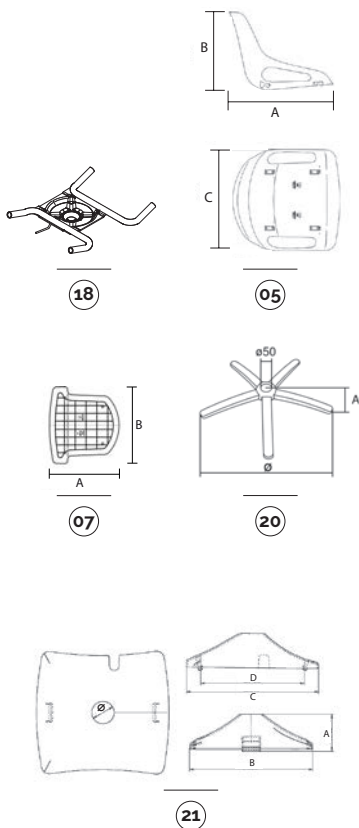
q5 swivel



plastic colours

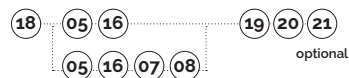
- marrone/brown ral8022
- avorio/ivory ral1013
- giallo/yellow ral1012
- grigio/grey ral7003

main component sizes



optionals

21



18 q5-supporto girevole a gas per scocca q5 q5-gas lift swivel wire frame for shell without caps

code	finishing	q.kit	q.pack	kg.x1	vol.x1
110903-012	● nero/black	x1	10	1,50	mc. 0.004
110904-012	● grigio/grey	x1	10	1,50	mc. 0.004

19 confezione tappi copritesta d.18 neri black cover head caps d.18 package

code	finishing	q.kit	q.pack
137003-070	● nero/black	x1	200

05 q5-scozza intera modello q5 q5-shell model q5

code	finishing	q.kit	q.pack	a	b	c	kg.x1	vol.x1
133905-035	○ avorio/ivory ral1013	x1	10	400	400	470	1,60	mc. 0.02

16 q5-confezione accessori per scocca q5 q5-packaging accessories for shell q5

code	finishing	q.kit	q.pack	kg.x1	vol.x1
137005-003	○ avorio/ivory ral1013	x1	10	telaio tubo/tube frame	0,085 mc. 0.00

07 q5-pannello sedile da tappezzare q5-panel back for upholstery

code	finishing	q.kit	q.pack	a	b	kg.x1	vol.x1
132203-048	● nero/black	x1	20	390	420	0,52	mc. 0.003

08 confezione viti tbl+ fr. d.5x14 zinc.black (to fix seat panel) package

code	finishing	q.kit	q.pack
117003-071	● nero/black	x4	200

20 b40 base in metallo d.640 con coprisaldatura b40 metal base d.640 with cover welding

code	finishing	q.kit	q.pack	a	ø	kg.x1	vol.x1
110210-027	● cromato/chrome	x1	5	60	640	2,85	mc. 0.014

21 cpq-copertina in plastica per telaio girevole cpq-plastic cover for swivel frame

code	finishing	q.kit	q.pack	a	b	c	d	ø	kg.x1	vol.x1
130903-000	● nero/black	x1	50	60	200	210	167	36	0.1	mc. 0.0015

CPG
plastic cover for swivel frame



for all colour codes, see page 113

q5 bench



plastic colours

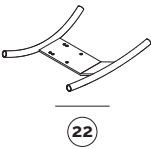
- marrone/brown ral8022
- avorio/ivory ral1013
- giallo/yellow ral1012
- grigio/grey ral7003



22 q5-supperto per attacco scocca q5 su panca
q5-bench frame for q5 shell

code	finishing	q.kit	q.pack	kg.x1	vol.x1
110703-188	● nero/black	x1	10	1.40	mc. 0.004

main component sizes



for the components below, see page 110



for all colour codes, see page 113

for the bench components, see page 201

optionals

OPTIONAL
bench connector



JIM **NEW**
bench leg

APOLL
bench arm



plastic

90GM
bench leg

90GF
bench leg

100GM
bench leg

200GM
bench leg

PIONEER
bench arm



metal

CUT
bench leg

SLIM
bench leg

CUT
bench arm

SLIM
bench arm



aluminium



q5

optional colour codes



shell colour codes



05 scocche in plastica
plastic shells

- 133903-035 marrone/brown ral8022
- 133905-035 avorio/ivory ral1013
- 133908-035 giallo/yellow ral1012
- 133904-035 grigio/grey ral7003

accessory colour codes



06 accessori in plastica per telaio in tondino
plastic accessories for wire frame

- 137003-004 marrone/brown ral8022
- 137005-004 avorio/ivory ral1013
- 137008-004 giallo/yellow ral1012
- 137004-004 grigio/grey ral7003



16 accessori in plastica per telaio a tubo
plastic accessories for tube frame

- 137003-003 marrone/brown ral8022
- 137005-003 avorio/ivory ral1013
- 137008-003 giallo/yellow ral1012
- 137004-003 grigio/grey ral7003